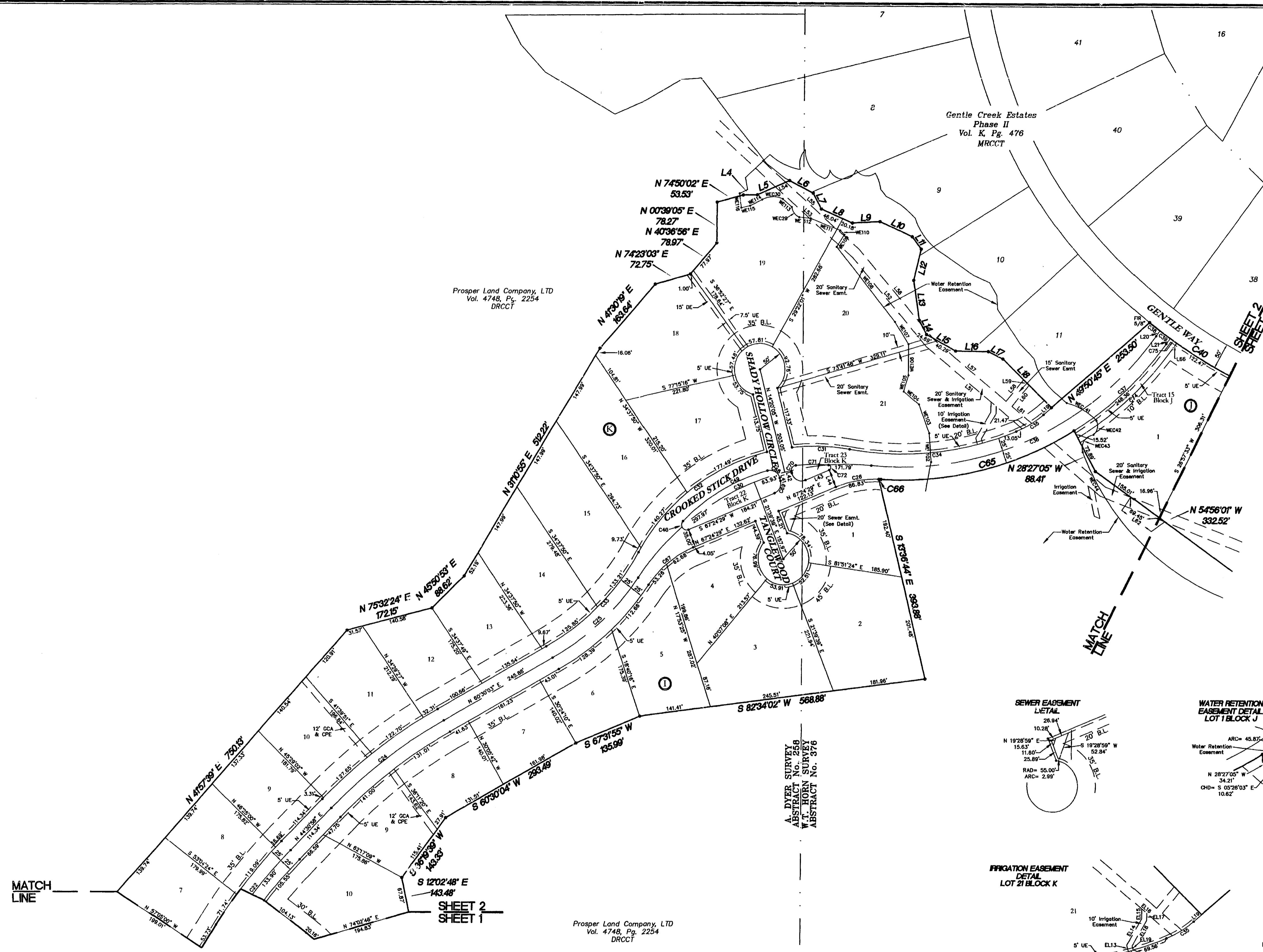


6594-2

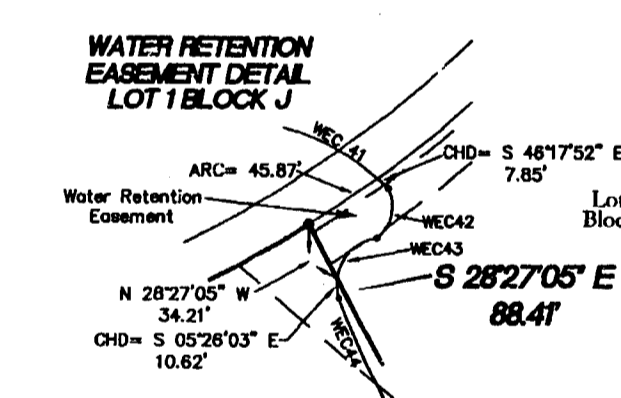
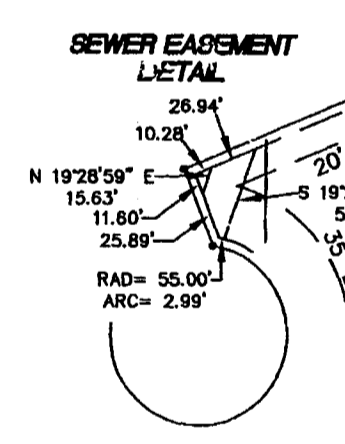
Scale: 1" = 100'
Graphic Scale
(in feet)



Prosper Land Company, LTD
Vol. 4748, Pg. 2254
DRCCCT

Prosper Land Company, LTD
Vol. 4748, Pg. 2254
DRCCCT

A. DYER SURVEY
ABSTRACT NO. 258
W.T. HORN SURVEY, ABSTRACT 376
ABSTRACT NO. 419



MATCH LINE

SHEET 2
SHEET 1

S4880

FINAL PLAT
**GENTLE CREEK ESTATES
PHASE THREE**
A. DYER SURVEY, ABSTRACT 258
W.T. HORN SURVEY, ABSTRACT 376
W.T. HORN SURVEY, ABSTRACT 419
TOWN OF PROSPER
COLLIN COUNTY, TEXAS

DRAWN BY: B.D.S./CAD
CHECKED BY: B.D.S.
SCALE: 1" = 100'
DATE: JULY 2001
SHEET 2 OF 5
JOB NO. 17000

Sparr Surveys
803 E. Main Street, Suite C
P.O. Box 1270
Allen, Texas 75013-1270
972/390-9936